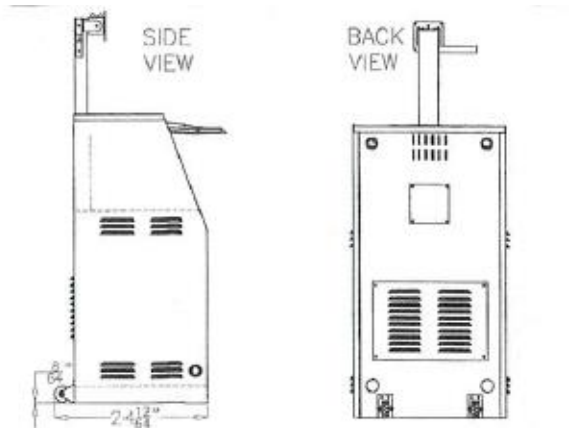


Cabinet Specifications

Manufactured by Missouri Vocational Enterprises (MVE)



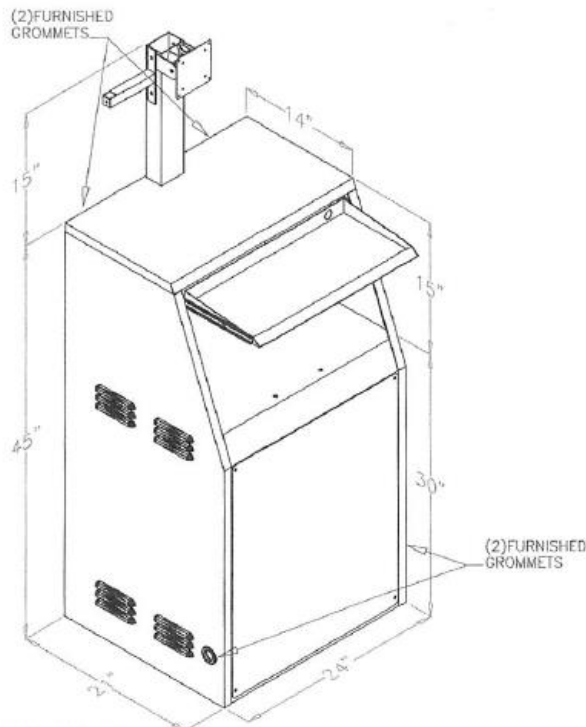
ITEM NAME: FINGER PRINT CABINET

CONSTRUCTED FROM 14 GA. STEEL.
***GROMMETS ARE FURNISHED ONLY ON
1-1/4" HOLES***

POWDER COAT FINISH IN VADOR BLACK

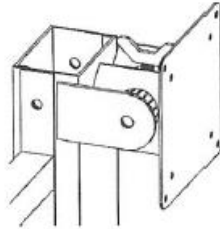
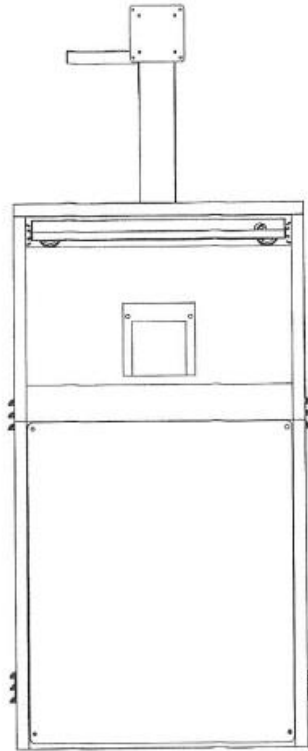
CUSTOMER MUST CHECK AND APPROVE
DIMENSIONS BEFORE ORDERING.

WHEN ORDERING THIS PRODUCT PLEASE REFER
TO ITEM S-20143197-14GA.



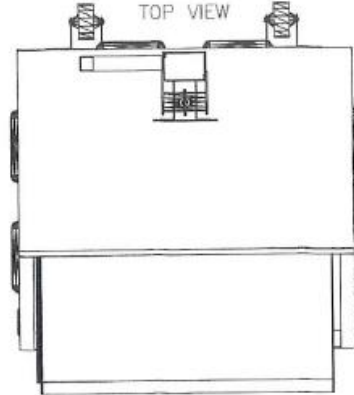
WILLIAMS-SOVIET UNION DESIGN CENTER, WASHINGTON, D.C. 20540

FRONT VIEW



ENLARGED VIEW OF
MONITOR BRACKET

TOP VIEW



BOTTOM VIEW

